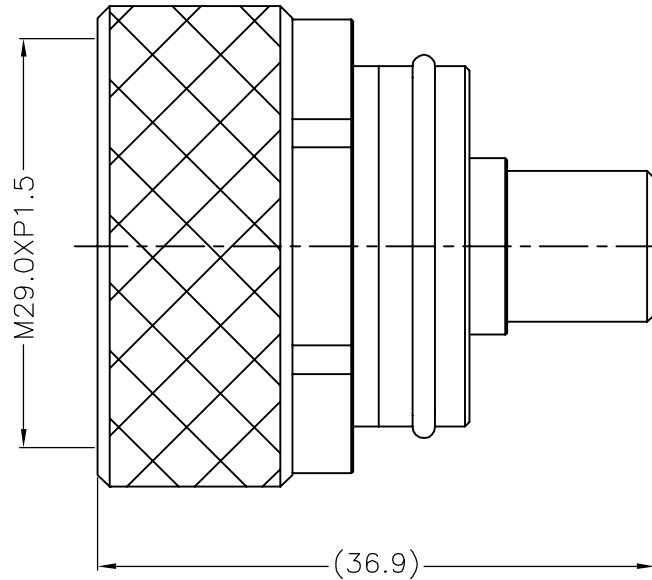
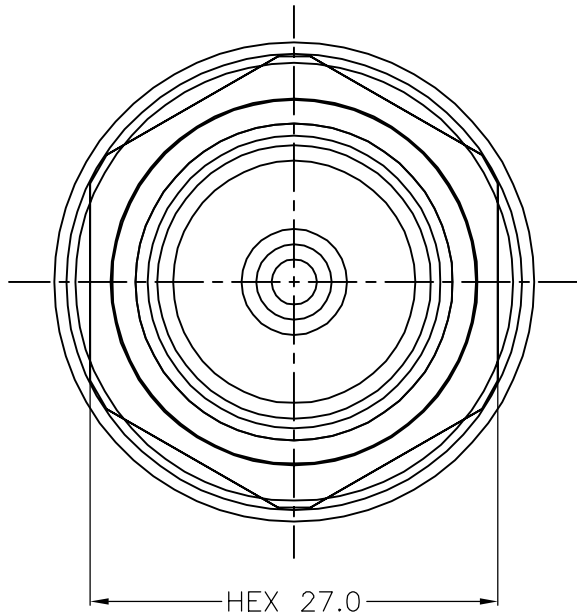


RoHS COMPLIANCE

DATE	EDITOR	DESCRIPTION	REV
19.05.27	LF C.F.A.N	NEW RELEASE	A



NOTES:

ELECTRIC PERFORMANCE:

1. IMPEDANCE( $\Omega$ ): 50
2. FREQUENCY RANGE: DC-8GHz
3. VSWR: 1.2
4. INPUT POWER(DC): 1WATT

FINISH(PLATING THICKNESS IN MICRO-INCHES)

1. TRI-ALLOY PLATING
2. BARREL NICKEL PL. 100 MIN. THICK OVER COPPER PL. 50 MIN. THICK
3. RACK NICKEL PLATING

ENVIRONMENT:

1. INGRESS PROTECTION RATING: IPX7

10	O-RING	1	NBR	BLACK
9	SPRING	1	SUS304	NATURAL
8	RESISTOR	1	NONE	NATURAL
7	CONTACT	1	BRASS	NOTE 1
6	BODY II	1	BRASS	NOTE 2
5	O-RING	1	NBR	BLACK
4	INSULATOR	1	PTFE	WHITE
3	BODY	1	BRASS	NOTE 3
2	O-RING	1	SILICONE	RED
1	SHELL	1	BRASS	NOTE 1



DO NOT SCALE DRAWING

MAJOR DIMENSIONS UNLESS OTHERWISE NOTED TOLERANCES		APPROVED BY <b>Ken</b>	OLD DRAWING NO	DRAWING NO 161SV-TM1-01-1T3N-5
<math>\pm 0.2</math> 6-30=<math>\pm 0.4</math> 30-120=<math>\pm 0.6</math> 120-315=<math>\pm 0.8</math> 315-1000=<math>\pm 1.0</math> 1000-2000=<math>\pm 1.2</math> ANGLES=<math>\pm 5^\circ</math>		CHECKED BY Ken	THIRD ANGLE PROJECTION	TITLE 7/16 PLUG DUMMY LOAD
		DRAWING BY LF C.F.A.N		WEIJE ELECTRONICS CO., LTD.
SCALE	2:1	UNIT	MM	DATE 2019/06/06

NO	Description	Q'ty	Material	Finish	Part Number
----	-------------	------	----------	--------	-------------