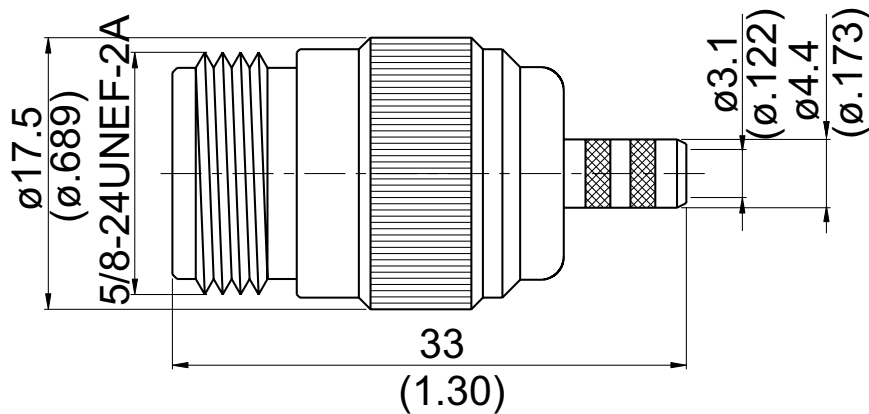


N8100-0058	<b>N Jack Crimp</b>	<b>50Ω</b>
------------	---------------------	------------



Parts	Material	Plating (Micro-inch)
Ferrule	Brass	Tin-Zinc-Copper-Alloy 100 Over Copper 50
Contact Pin	Phosphor Bronze	Gold 5 Over Nickel 50 Over Copper 50
Barrel	Brass	Tin-Zinc-Copper-Alloy 100 Over Copper 50
Ring	Brass	Tin-Zinc-Copper-Alloy 100 Over Copper 50
Insulator	Teflon	
Body	Brass	Tin-Zinc-Copper-Alloy 100 Over Copper 50

Weight: 32.34 g  
 Suitable Cables: RG58, JBY195

**This part number complies with RoHS.**

**Notice: JYEBAO reserves the right to make modifications deemed appropriate.**

## CABLE ASSEMBLY INSTRUCTION

N8100-0058

JYE BAO CO., LTD.

N8100-0058

DATE

2014/04/29

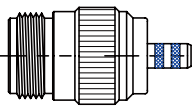
REV

—

A

B

C



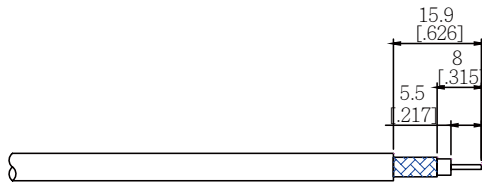
BODY

CONTACT PIN

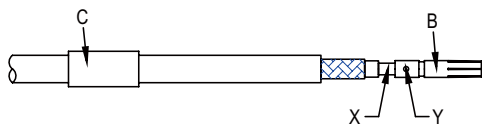
FERRULE

DIAGRAM

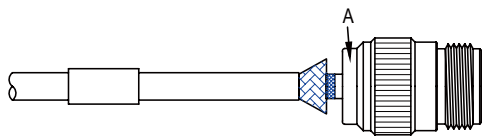
ASSEMBLY INSTRUCTION



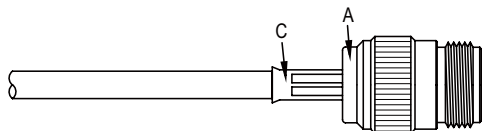
Step 1: STRIP AS SHOWN.



Step 2: SLIDE FERRULE " C " OVER CABLE.  
Step 3: PUT PIN " B " ON CENTER CONDUCTOR AND SOLDER IN " Y " OR CRIMP IN " X ".  
(USE SQUARE 1.6mm/0.063inch SECTION OF INSERT-B IF CRIMPED)



Step 4: LOOSEN BRAIDING AND SLIDE CONNECTOR " A " IN PLACE.



Step 5: SLIDE FERRULE " C " TOWARDS THE CONNECTOR " A " AND CRIMP.  
(USE 5.5mm/0.217inch HEX SECTION OF INSERT-B)

This part number complies with RoHS.

Notice: JYEBAO reserves the right to make modifications deemed appropriate.