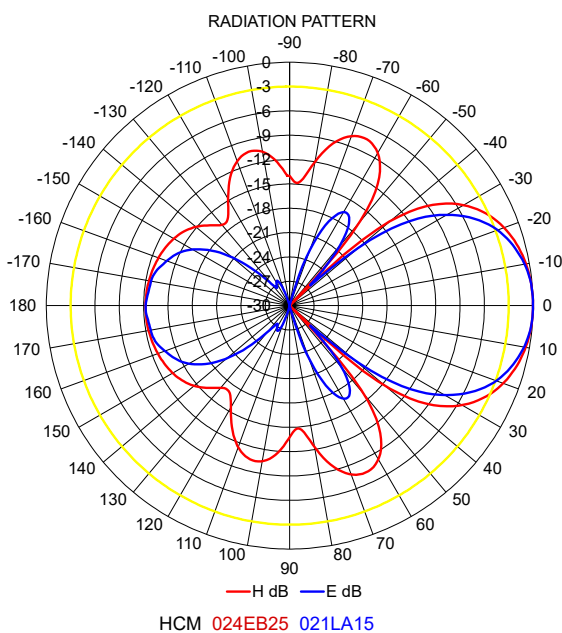
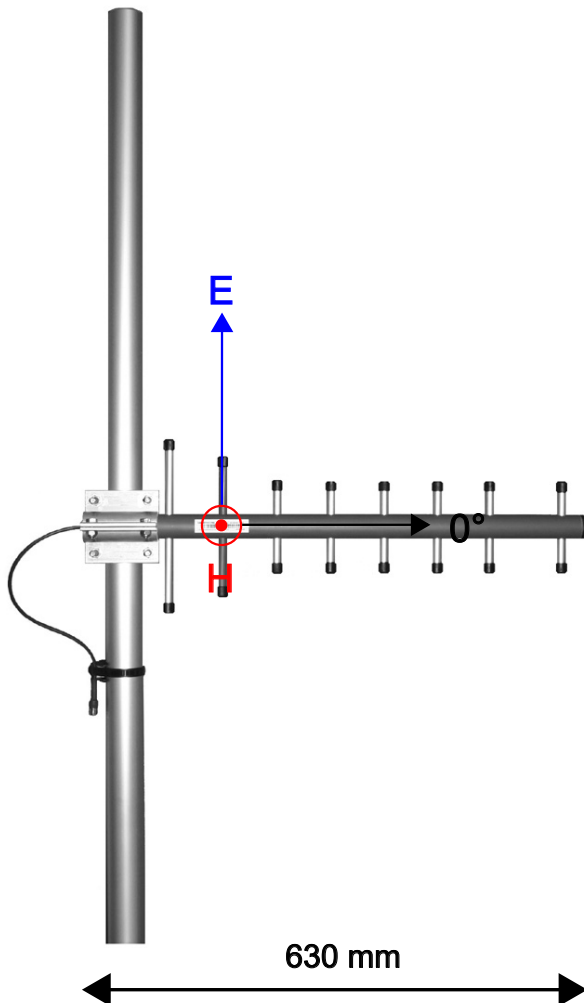


### FREQUENCY INDEPENDENT DATA

Description: directional yagi  
 Frequency: 880-960 MHz  
 Impedance: 50 ohm  
 Gain: 11 dBi  
 H -3 dB: 48°  
 E -3 dB: 41°  
 F/B: 12 dB  
 Polarization: vertical/horizontal  
 Connector: N-female  
 VSWR: < 1.5  
 Radome: UV resistant ABS/FG,  
 RAL 7012, PU foam filling  
 Radiator: copper  
 Passive elements: coated aluminium  
 Attachment: Ø 35-60 mm, aluminium alloy  
 bracket, stainless steel V-bolts  
 and self-locking nuts  
 Lightning protection: DC-short circuited  
 Temperature: -40°C - +80°C  
 IP: 67



- combination of durability, light weight and low wind load
- radome enclosed radiator
- IP67 proof construction
- all electromechanics moulded inside of closed cell PU foam
- DC shorted feed point
- integrated impedance compensation
- integrated RF choke

CA930Y++++N DIRECTIONAL YAGI